

Aluminium HiLo poles with winch

- Manual operations from the ground
- Completely remove dangers associated with working at height
- Cost reductions associated with ongoing maintenance



HiLo poles allow easy and safe operations.

The raise & lower poles from Hydro, called HiLo, are especially designed to carry out maintenance on cameras and other devices in a safe and secure manner. The operation of the poles can be performed manually, from ground level. Therefore, no dangers of working at height and cost savings of maintenance and traffic management.

The HiLo poles with winch is provided with an integrated hinge system. The hinge mechanism is located halfway up the pole, which allows the top of the pole to be lowered to working height. The winch is located behind the door which allows easy access.

In compliance with standards and regulations:

- Design in accordance with the European standard EN40-6
- Calculations according to the European regulations EN40-3-3
- Passively safe according to EN 12767 – see certificate EN40

Installation options:

- Planted in the ground
- Two-piece base plate (D53.002.000.14)
- One-piece base plate (D53.001.000.01)
- Welded specialized base plate

Bracket options (PDS ENEX.32.02.001):

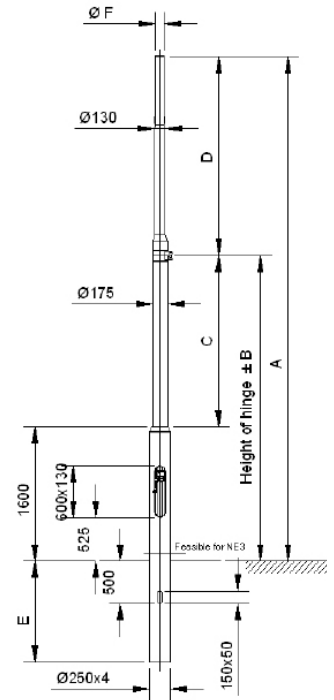
- Fixed brackets
- Brackets with invisible joint
- Brackets with cast piece

How it works



HiLo poles with winch, cylindrical stepped available from 6-12m

A (mm)	B (mm)	C (mm)	D (mm)	E* (mm)	F Ø (mm)	Max. top weight (kg)
6	3631	2031	2369	1200	108/76	50
8	4631	3031	3369	1500	108/76	45
10	5631	4031	4369	1700	108/76	40
12	6631	5031	5369	1700	108/76	35



*Length ground piece differs per country, depending on the applicable standard

Technical characteristics:

- Seamless tube made of aluminium extrusion;
- Alloy EN AW6060 T66;
- 100% recyclable;
- Flush fitting door with 2 triangular locks;
- Welded reinforcement profile at the inside of the door section, complete with mounting rail with 2x M6 slip nuts + 1x M8 earth nut;
- Invisible locking mechanism for hinge located behind the door section;
- Tiltable until 1500 mm from ground level;
- Hinge direction to the right, 90 degrees relative to the door;
- Ground piece protected with corrosion protective tape (color grey or black);
- Optional ground level protector (PDSSEN.37.02.001);
- Cable entry slot incl. protection cap;
- Surface brushed finish, electrostatic powder coating.